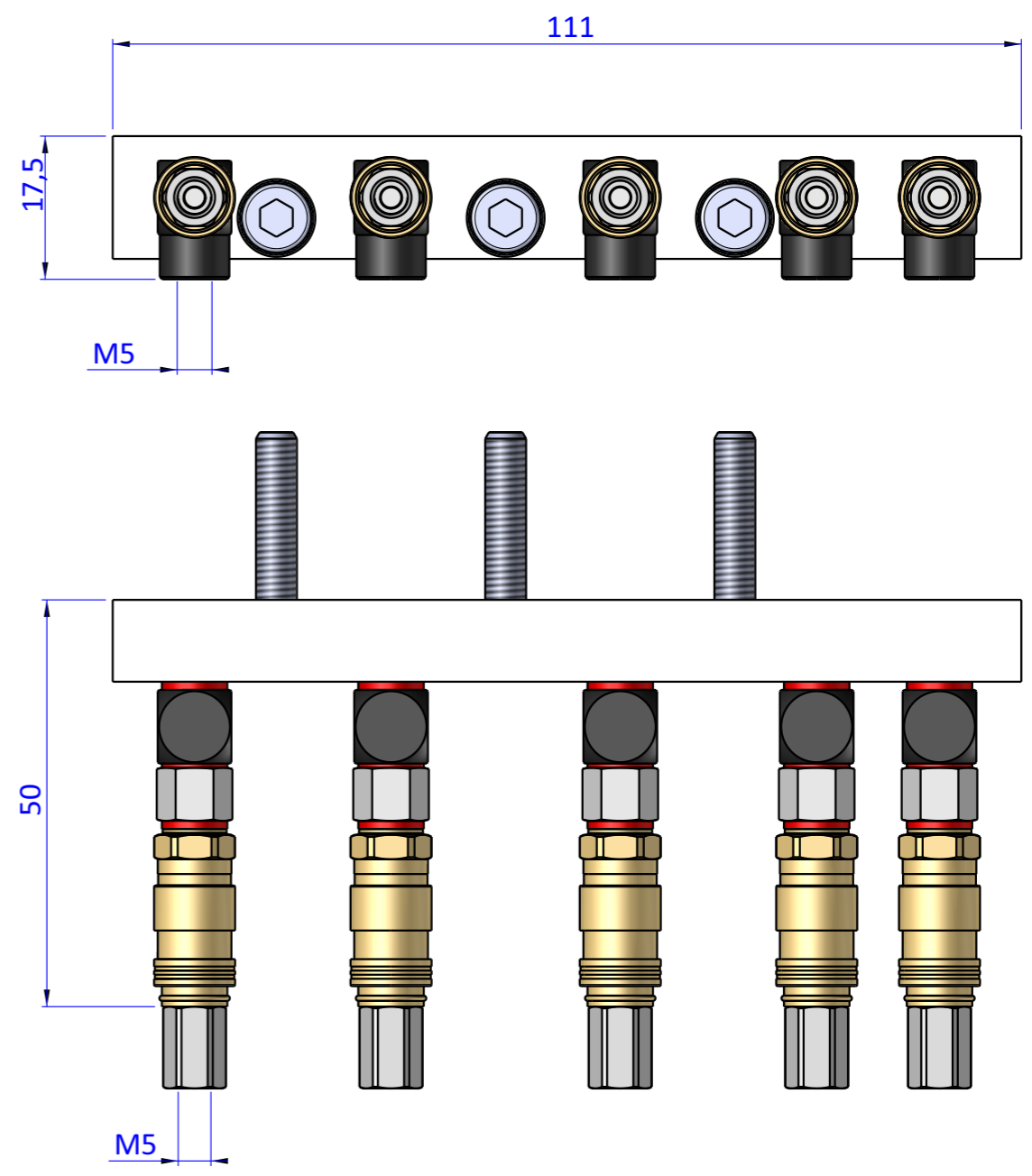
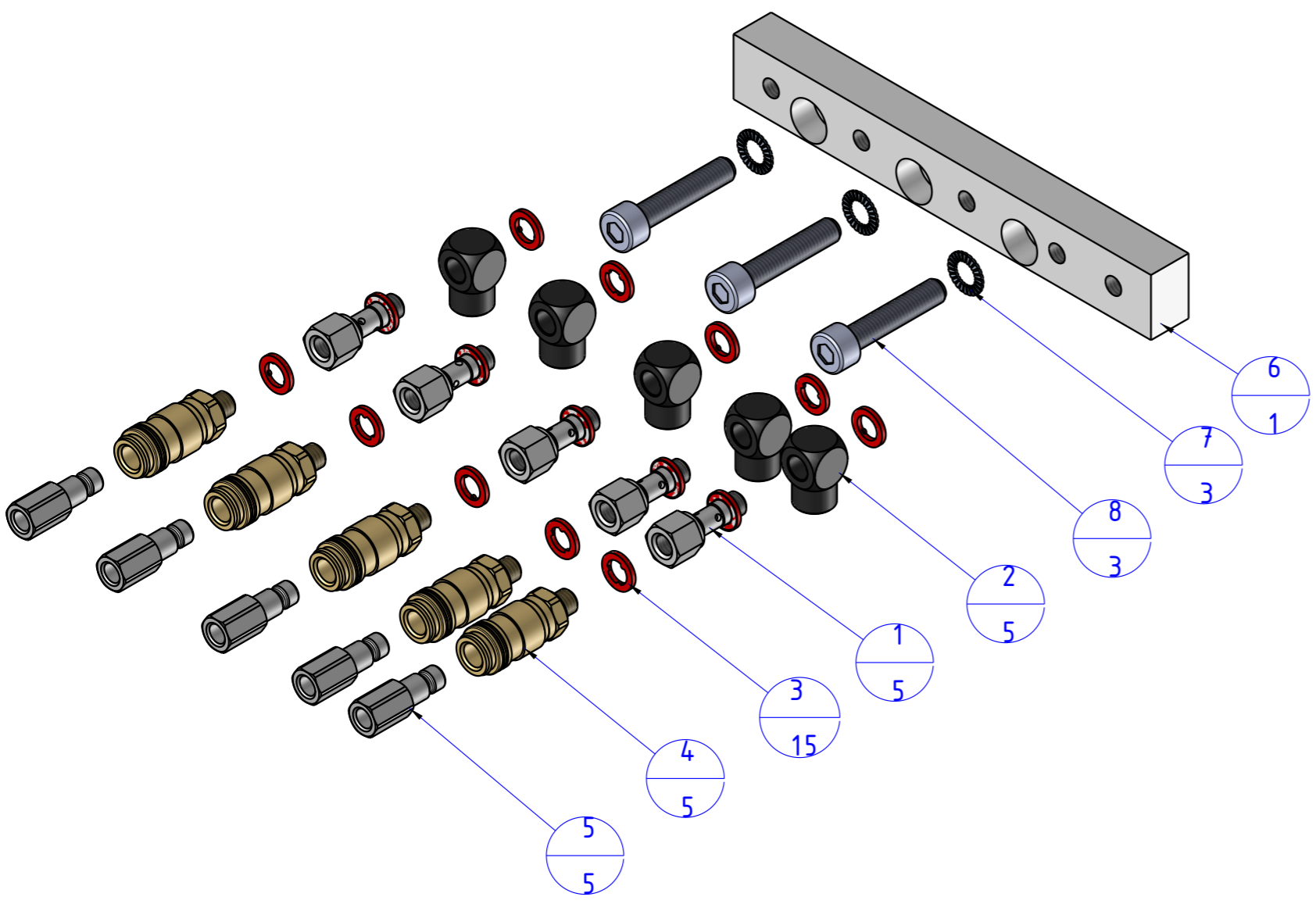



THE PROPERTY OF THE DRAWING IS ESTABLISHED BY LAW. IT IS FORBIDDEN TO PRODUCE OR SHOW IT TO THIRD PART. WITHOUT A WRITTEN AGREEMENT.

Item	Name	Qty.
1	CA.01.08.005	5
2	CA.01.08.008	5
3	CA.08.09.05	15
4	CA.12.06.003	5
5	CA.12.06.008	5
6	LAL.1.5	1
7	R.5.SCH	3
8	V.TCE5x25	3



Format A3  
UNI 936-76

 <b>FPS</b> FPSERVICES AUTOMATION		DESIGNED FROM		REVIEW
		FPS Automation		A
GENERAL TOLERANCE		DATE		WEIGHT
UNI - ISO 2768		02/10/2020		0,154kg
CLASSE f		CODE		
CA.LAL.1.5		CA.LAL.1.5		